

MSA I 5G3F IX

12NC: 859991587540

GTIN (EAN) code: 8003437604256

Whirlpool

SENSING THE DIFFERENCE



Whirlpool built in gas oven: inox color - MSA I 5G3F IX

This Whirlpool built in Oven features: gas power supply.



Absolute aesthetic

The Absolute collection. Admire the beauty of performance. With a futuristic design and unparalleled performance, the Absolute collection is designed for modern, high-tech kitchens. Equipped with innovative 6TH SENSE technology, Absolute ovens can be set in three simple steps for perfect results. Maximum flexibility and ease of use with a distinctive look and original finishes.



Electronic control

Electronic temperature control.



XXL cavity

All the space you need. The XXL cavity in your oven has a capacity of 75 litres with 5 different shelf positions available.



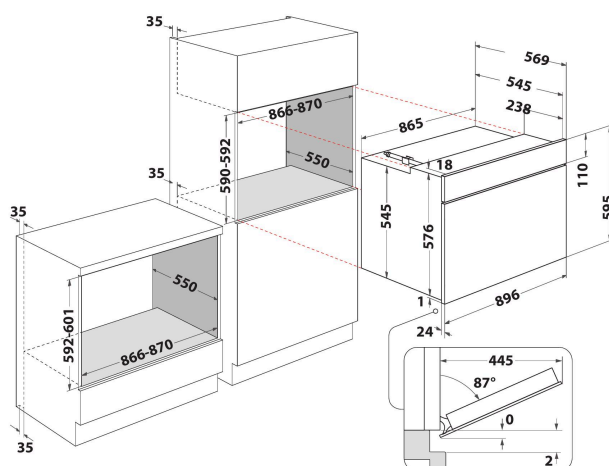
Energy class

Outstanding energy savings. Ovens with an A/ A+ energy rating offer an excellent level of energy efficiency, ensuring lower consumption and saving you money on your energy bills.



Energy class A

Energy efficient. With its A energy rating, this Whirlpool appliance will allow you to enjoy both ideal performance and excellent energy consumption.



- Energy class A
- Cavity 97 L
- Turbo Fan
- Grill
- Easy Clean Enamel Interior
- Fast Pre-Heating
- Metal handle
- Door Glasses Number: 2
- Protuding handle
- Grill 2700 W
- 2 Grids
- 1 Tray
- Motorized Turn Spit
- Mechanic programmer
- Europe Grey Glass and Inox Bottom Front Trim
- Dimensions HxWxD: 576x865x565 mm
- Product Segment: Absolute Inox

MSA I 5G3F IX

12NC: 859991587540

GTIN (EAN) code: 8003437604256

Whirlpool

SENSING THE DIFFERENCE

MAIN FEATURES


Product group	Oven
Commercial code	MSA I 5G3F IX
Main colour of product	Inox
Construction type	Built-in
Type of control	Electronic
Type of control settings	-
Are any hobs controls integrated?	No
Which kind of hobs can be controlled?	-
Automatic programmes	No
Current (A)	0
Voltage (V)	220-240
Frequency (Hz)	50/60
Length of Electrical Supply Cord (cm)	125
Plug type	No
Depth with open door 90 degree (mm)	-
Height of the product	576
Width of the product	865
Depth of the product	565
Minimum niche height	0
Minimum niche width	0
Niche depth	0
Net weight (kg)	52.8
Usable volume (of cavity)	97
Integrated Cleaning system	No
Grids of the cavity	2
Trays	1

TECHNICAL FEATURES

Timer	Yes
Time control	Mechanical
Time-setting options	Start and Stop
Safety device	-
Interior light	Yes
Number of interior lights of the cavity	2
Position of interior lights of the cavity	Rear
Oven guides of the cavity	Grids
Probe of the cavity	No

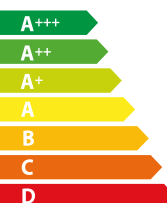
PERFORMANCES

Energy input	Gas
Type of energy of the cavity	Gas
Energy efficiency class - NEW (2010/30/EU)	A
Energy consumption per cycle conventional - NEW (2010/30/EU)	260.00
Energy consumption per cycle forced air convection - NEW (2010/30/EU)	2.59




ENERG Y IJA
енергия · ενεργεια IE IA

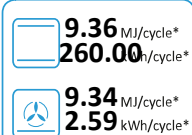
WHIRLPOOL MSA I 5G3F IX



A



97 L



9.36 MJ/cycle*
260.00 kWh/cycle*

9.34 MJ/cycle*
2.59 kWh/cycle*

* цешья · cyklus · portion · zykhus · πρόγραμμα · ciclo · tsükkel · ohjelma · ciklus
ciklus · ciklus · ciklu · cyklus · cykl · ciclo · program · cycle

65/2014